



Submittal Data Sheet

Indoor Unit Model#: AC-I-3036ACL-21

Outdoor Unit Model#: AC-I-30AC14

R32 30K 21" EVAPORATOR A-COIL & 30K TOP-DISCHARGE AC-COOLING ONLY CONDENSER

Location:	Approval:
Engineer:	Date:
Submitted to:	Construction:
Submitted by:	Unit #:
Reference:	Drawing #:

System UPC Product Code: 810175554181
 A-Coil UPC Product Code: 810175554051
 Outdoor Unit UPC Product Code: 810175554105



OUTDOOR UNIT SPECIFICATIONS

Compressor Type	Rotary	
Compressor Model	KSF230N1VKTB	
Compressor Capacity (W)	8710	
Compressor Input (W)	2005	
Compressor Rated Current RLA (A)	9.8	
Refrigerant Oil Type	Ester Oil VG74	
Refrigerant Oil Charge (mL)	410	
Outdoor Noise Level (dBA)	59	
Outdoor Airflow (CFM)	2650	
Outdoor Fan Motor Qty.	1	
Outdoor Fan Motor Input (W)	200	
Outdoor Fan Motor RLA (A)	0.92	
Dimension (W×D×H)	inch	29.13 x 29.13 x 25.00
	mm	740 x 740 x 635
Package (W×D×H)	inch	30.32 x 30.32 x 26.18
	mm	770 x 770 x 665
Net/Gross Weight	lbs	139.0 / 148.0
	kg	63.1 / 67.0
RLA: Rated Load Amps	W: Watts	

EFFICIENCY RATINGS

Cooling	
SEER2	14.30
EER2	11.70

COOLING PERFORMANCE & OPERATING TEMPERATURE

Cooling (Btu/hr)		
Rated Capacity	30000	
System Power Input (W)	2550	
Rated Current (A)	11.50	
Ambient Temperature Range (Cooling Operation)		
Indoor Unit	°F	60°F ~ 90°F
	°C	16°C ~ 32°C
Outdoor Unit	°F	5°F ~ 131°F
	°C	-15°C ~ 55°C

ELECTRICAL SPECIFICATIONS

Indoor Power Supply	220-230V, 1Ph, 60Hz
Outdoor Power Supply	208/230V, 1 Ph, 60Hz
Voltage Range (V)	187 ~ 253
Outdoor MCA (A)	17
Outdoor MOP (A)	25
MCA: Min. circuit amps (A)	MOP: Max. overcurrent protection (A)

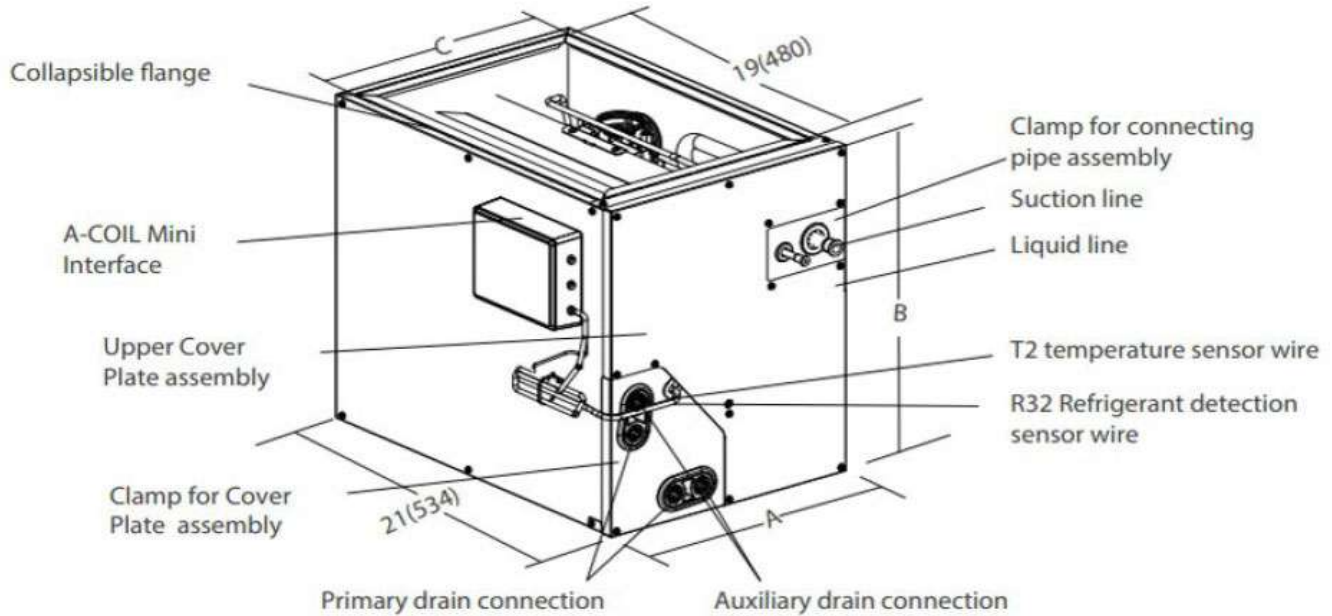
EVAPORATOR A-COIL SPECIFICATIONS

Dimension (W×D×H)	inch	21.02 x 21.02 x 23.58
	mm	534 x 534 x 599
Package (W×D×H)	inch	24.80 x 27.36 x 25.98
	mm	630 x 695 x 660
Net/Gross Weight	lbs	64.0 / 74.0
	kg	29.2 / 33.6

REFRIGERANT & PIPING SPECIFICATIONS

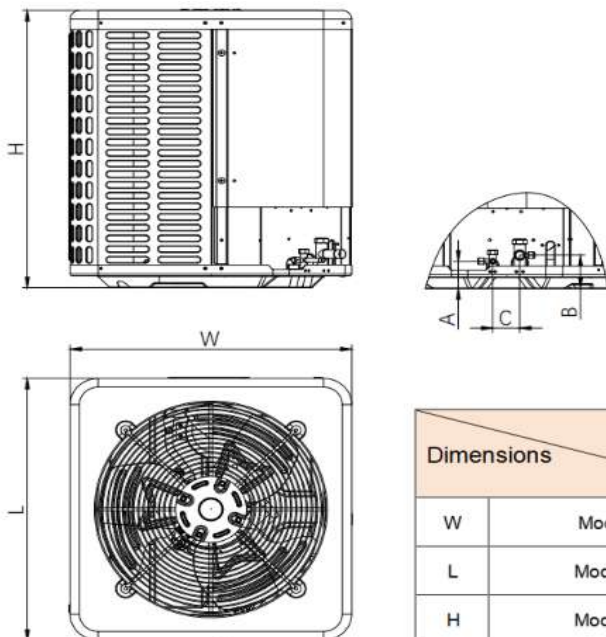
Throttle type (Indoor)	TXV for Cooling	
Refrigerant Type	R32	
Refrigerant Charge	oz	75.84
	kg	2.15
Additional Charge of Refrigerant	oz/ft	0.52
	g/m	48.0
Liquid Side	in	3/8"
	mm	9.53
Gas Side	in	3/4"
	mm	19.05
Max. Piping Length (Condenser Pre-Charge)	ft	24.6
	m	7.5
Max. Piping Length	ft	131
	m	40
Max. Height Difference	ft	82
	m	25
Drainage Water Pipe Diameter (O.D.)	in	3/4"
	mm	19.05 mm
Connection Method	Indoor Unit	Braze
	Outdoor Unit	Flare to Braze

EVAPORATOR A-COIL DIMENSIONS



Model	18K/24K A-Coil 17.5"		30K/36K A-Coil 17.5"		30K/36K A-Coil 21"	
Dimensions	inch	mm	inch	mm	inch	mm
A	17-1/2	445	17-1/2	445	21	534
B	18	457	23-1/2	599	23-1/2	599
C	16-2/5	416	16-2/5	416	19-3/4	505
Model	48K/60K A-Coil 21"		48K/60K A-Coil 24.5"			
Dimensions	inch	mm	inch	mm		
A	21	534	24-1/2	622		
B	27-4/5	706	27-4/5	706		
C	19-3/4	505	23-2/5	594		

OUTDOOR UNIT DIMENSIONS



Dimensions		Model		18K/24K		30K/36K		42K/48K/60K	
		inch	mm	inch	mm	inch	mm		
W	Model width	23-5/8	600	29-9/64	740	29-9/64	740	29-9/64	740
L	Model length	23-5/8	600	29-9/64	740	29-9/64	740	29-9/64	740
H	Model height	25	635	25	635	32-7/8	835		
A	Liquid side valve height	2-31/64	63	2-31/64	63	2-31/64	63		
B	Distance between two valves	3-1/32	77	3-1/32	77	3-1/32	77		
C	Gas side valve height	2-9/32	58	2-9/32	58	2-9/32	58		