

# ACIQ

R32 EVAPORATOR A-COILS 18K-60K (Inc. 17", 21", & 24" units)

## SERVICE MANUAL

### Models Covered:

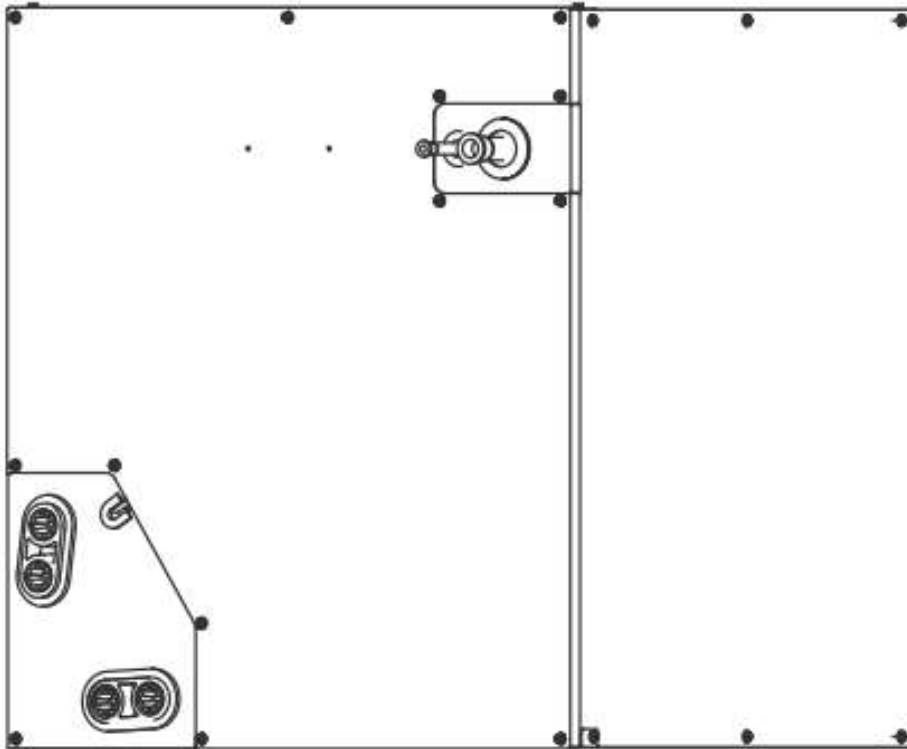
AC-I-1824ACL-17

AC-I-3036ACL-17

AC-I-3036ACL-21

AC-I-4860ACL-21

AC-I-4860ACL-24



RECOGNIZE THIS SYMBOL AS A SAFETY PRECAUTION

### ATTENTION INSTALLING PERSONNEL

Prior to installation, thoroughly familiarize yourself with this Installation Manual. Observe all safety warnings.

During installation or repair, caution is to be observed

It is your responsibility to install the product safely and to educate the customer on its safe use

**VERSION DATE: 01-30-26**

# Part 1

## General Information

1 Product lineup .....	2
2 Specifications .....	3
3 Dimensional drawings .....	4
4 Layout Functional Components .....	5

## 1 Product lineup

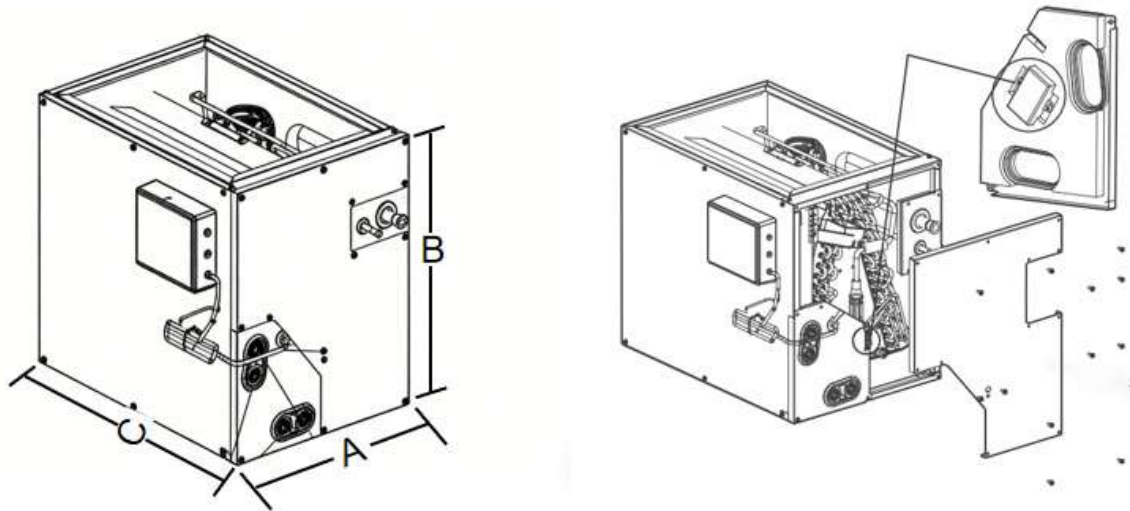
Model	Cooling Capacity (Btu/h)	Appearance
AC-I-1824ACL-17	18000/24000	
AC-I-3036ACL-17	30000/35000	
AC-I-3036ACL-21	30000/35000	
AC-I-4860ACL-21	42000/46000/54000	
AC-I-4860ACL-24	42000/48000/54000	

## 2 Specifications\*

Model	Indoor unit		AC-I-1824ACL-17	AC-I-3036ACL-17	AC-I-3036ACL-21	AC-I-4860ACL-21	AC-I-4860ACL-24
Power Supply		V, Ph, Hz	208/230, 1, 60,	208/230, 1, 60,	208/230, 1, 60,	208/230, 1, 60,	208/230, 1, 60,
SEER2	Cooling Capacity	Btu/h	18000/24000	30000/35000	30000/35000	42000/46000/54000	42000/46000/54000
	SEER2	Btu/W	14.3/14.3	14.3/14.3	14.3/14.3	14.3/13.8/13.8	14.3/13.8/13.8
	EER2	Btu/W	12.20/11.70	11.70/11.70	11.70/11.70	11.70/11.70/11.70	11.70/11.70/11.70
Indoor coil	Number of rows		3	4	4	5	5
	Tube OD	inch	9/32	9/32	9/32	9/32	9/32
Unit Dimension	W*D*H	mm	445*534*457	445*534*599	534*534*599	534*534*706	622*534*706
	W*D*H	inch	17-33/64*21-1/32*17-63/64	17-33/64*21-1/32*23-37/64	21-1/32*21-1/32*23-37/64	21-1/32*21-1/32*27-51/64	24-31/64-1/32*27-51/64
Packing Dimension	W*D*H	mm	540*695*515	540*695*660	630*695*660	630*695*765	715*695*765
	W*D*H	inch	21-17/64*27-23/64*20-9/32	21-17/64* 27-23/64*25-63/64	24-51/64*27-23/64*25-55/64	24-51/64*27-23/64*30-1/8	28-9/32*27-23/64*30-11/32
Net/Gross Weight		kg	19/22.5	27/30.9	29.2/33.6	36.8/41.9	43.9/52.2
		lbs	42/50	59.5/68	64/74	81/92	97/115

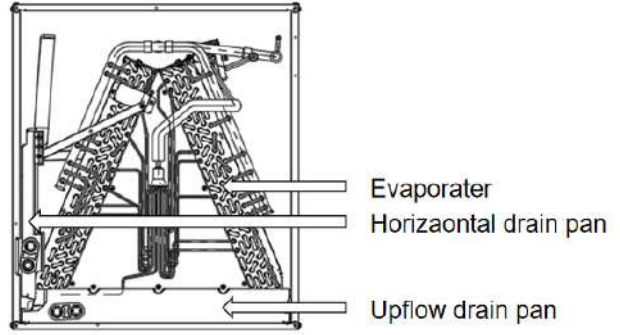
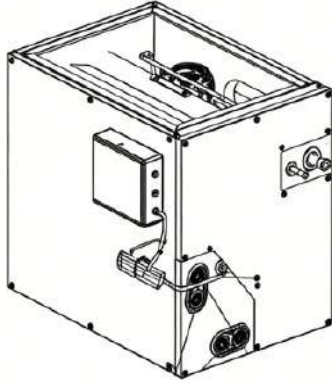
**\*Cooling performance data dependent upon the type & capacity of condenser the A-Coils are paired with. Cooling performance listed above is a range when A-Coil paired/installed with an AC Cooling-Only Condensers of similar capacity.**

### 3 Dimensional drawings



Dimensions \ Model		AC-I-1824ACL-17		AC-I-3036ACL-17		AC-I-3036ACL-21	
		inch	mm	inch	mm	inch	mm
A	Model Width	17-63/64	457	23-37/64	599	23-37/64	599
B	Model Height	17-33/64	445	17-33/64	445	21-1/32	534
C	Model Depth	21-1/32	534	21-1/32	534	21-1/32	534
Dimensions \ Model		AC-I-4860ACL-21		AC-I-4860ACL-24			
		inch	mm	inch	mm		
A	Model Width	27-51/64	706	24-16/32	706		
B	Model Height	21-1/32	534	27-13/16	622		
C	Model Depth	21-1/32	534	21-1/32	534		

## 4 Layout Functional Components

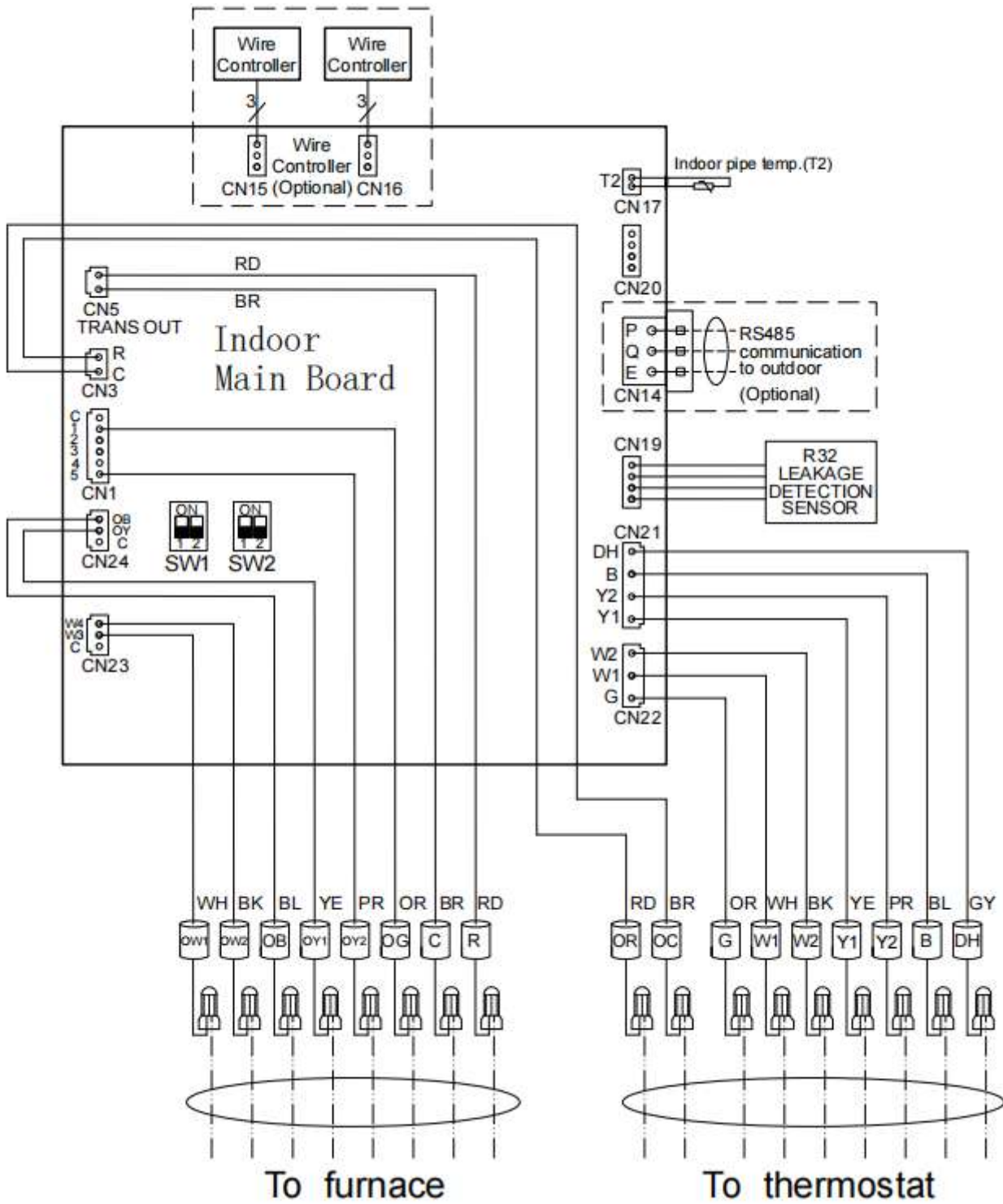






## Part 2




# Wiring Diagram

1 Electric wiring diagram .....	7
2 PCB .....	9
3 Low voltage wiring diagram .....	10
4 Electrical parameters .....	14

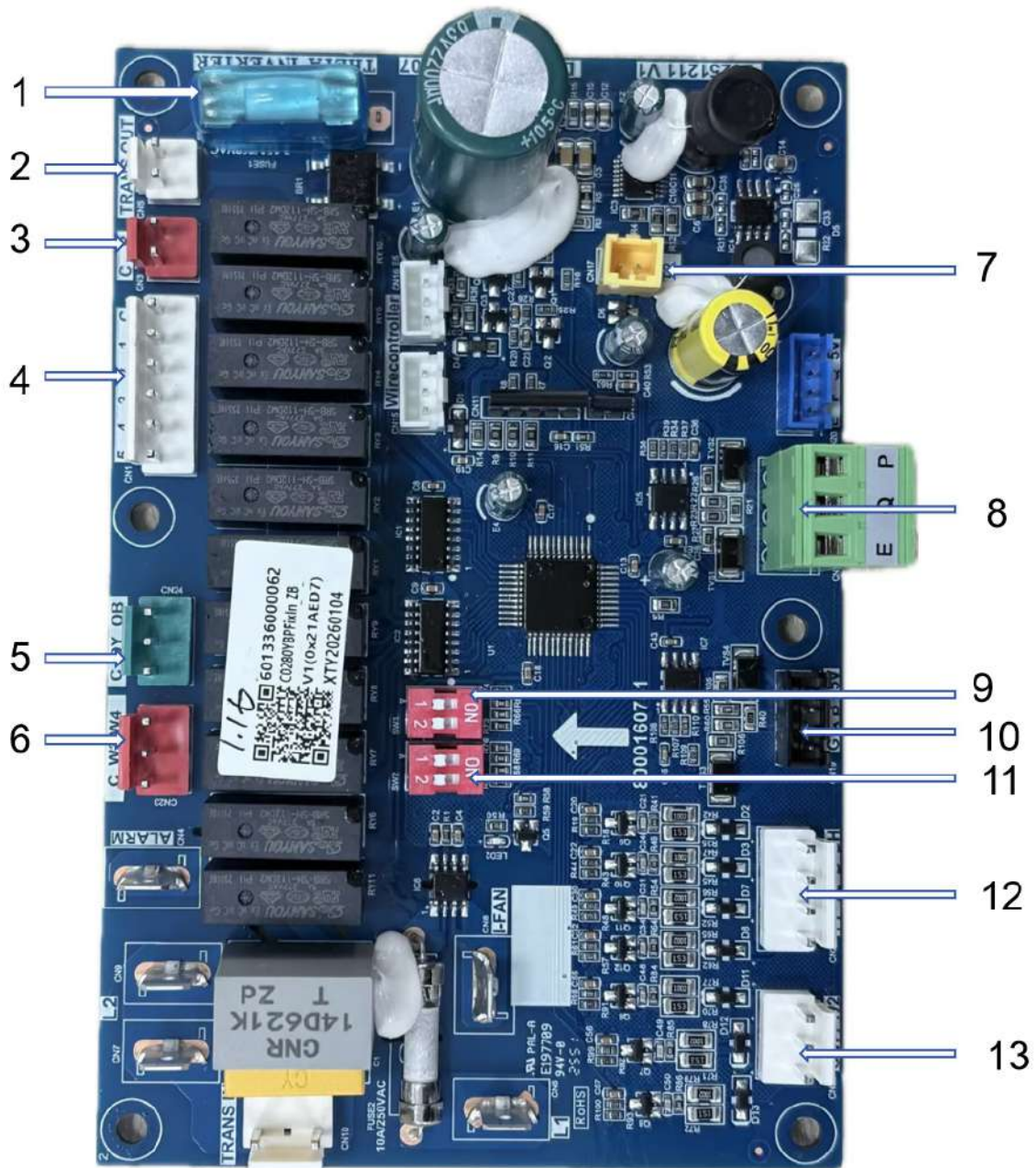
# 1 Electric wiring diagram



DIP switch status Indicate		
ON 	OFF 	1 This Indicate OFF ( The DIP switch is dialed to the digital side)
ON 	OFF 	
SW1 DIP switch selection		
SW1.1	SW1.2	Reserve
OFF	OFF	Reserve (Default)
OFF	ON	Reserve
ON	OFF	Reserve
ON	ON	Reserve
SW2 DIP switch selection		
SW2.1	OFF	24V Control(Default)
	ON	RS485 Comm. Mode
SW2.2	OFF	Anti-Cold Air Delay(Default)
	ON	Disable Anti-Cold Air Delay

Wire Color Code		
RD RED	OR ORANGE	
BL BLUE	PK PINK	
BR BROWN	GY GRAY	
BK BLACK	YE YELLOW	
WH WHITE	PR PURPLE	
WH/BK	WHITE BLACK STRIPE	
LINE ANNOTATION		
	Factory wiring	
	Field install	
	Dashed box	
INTERFACE VOLTAGE		
CN5	R / C	Input : 24VAC
CN21	Y1 / Y2 / B / DH	Input : 24VAC
CN22	G / W1 / W2	Input : 24VAC
CN1	OG / OY2	Output : 24VAC
CN3	OR / OC	Output : 24VAC
CN23	OW1 / OW2	Output : 24VAC
CN24	OY / OB	Output : 24VAC
CN14	P / Q / E	Output : 5VDC

2 PCB

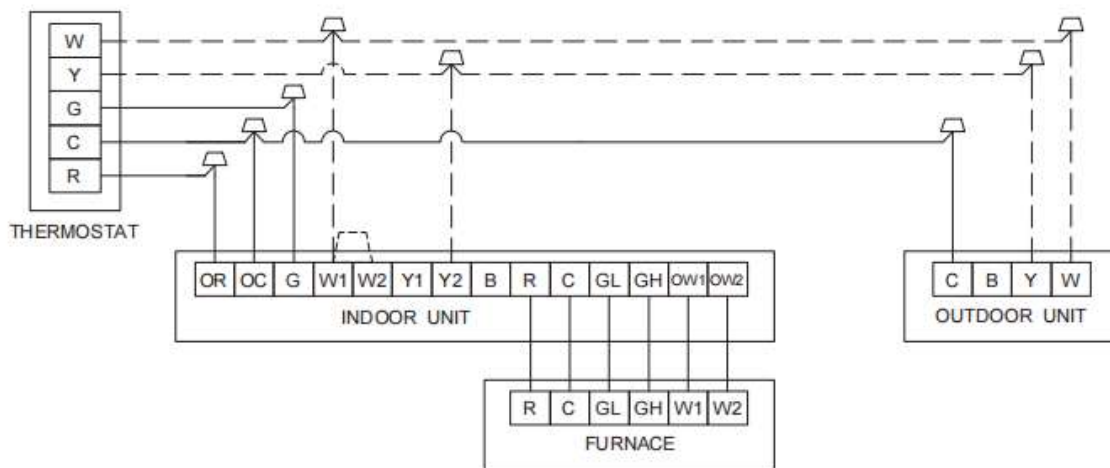


No.	Port Names and Definitions	No.	Port Names and Definitions
1	Fuse	10	Port for refrigerant concentration monitor
2	24V trans in from transformer	11	DIP Switch-SW2
3	Port to 24V thermostat(R/C)	12	Port to 24V thermostat(DH/B/Y2/Y1)
4	Control Device for Furnace	13	Port to 24V thermostat(W2/W1/G)
5	Rapid heating mode		
6	Port to furnace thermostat(W2/W1/G)		
7	Port for indoor coil temperature sensor T2		
8	RS-485 communication port to outdoor		
9	DIP Switch-SW1		

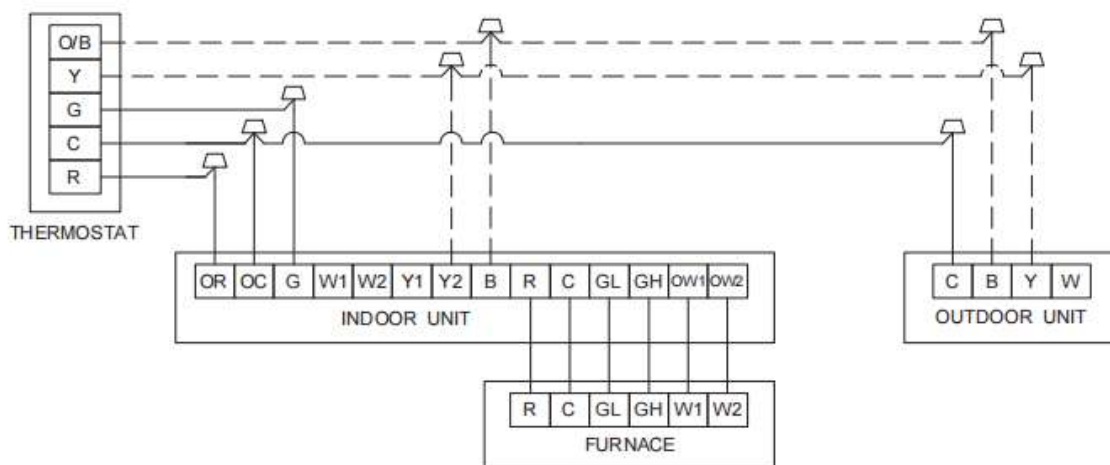
### 3 Low voltage wiring diagram

The following wiring diagram are suitable for the Indoor Unit and Outdoor Unit with 24V thermostat.

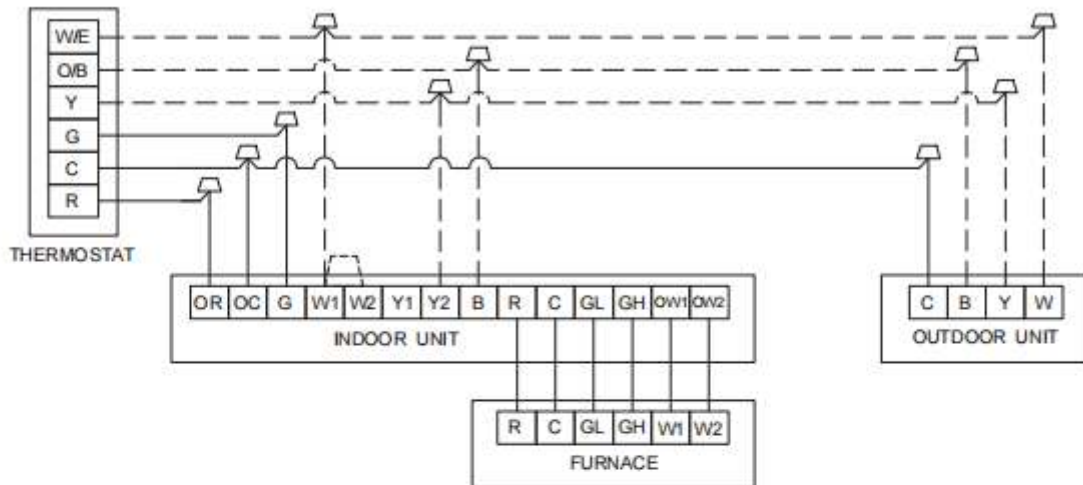
**Note1:** Any time the electric heat elements are active. the indoor fan will run in high stage.



### Wiring for 1H and 1C thermostat

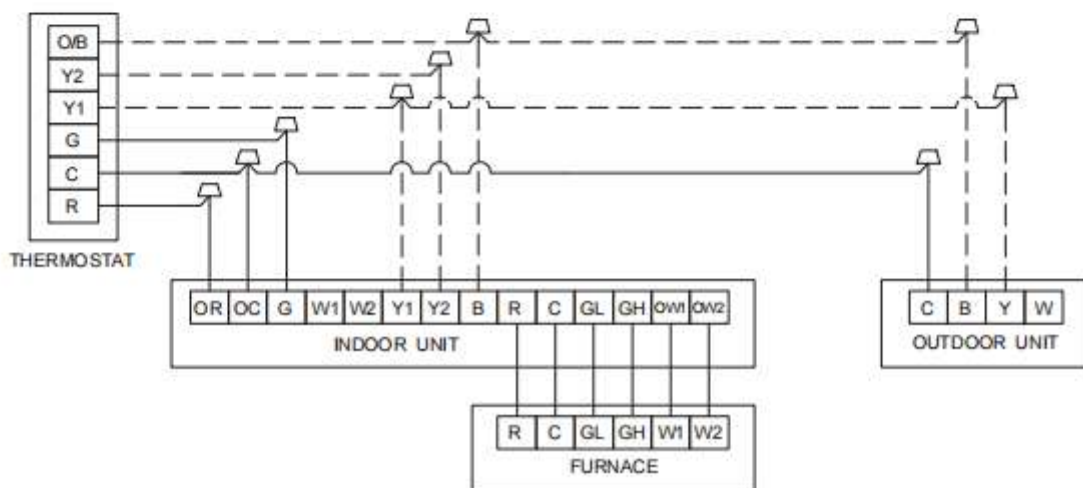


Note1: Any time the electric heat elements are active. the indoor fan will run in high stage.

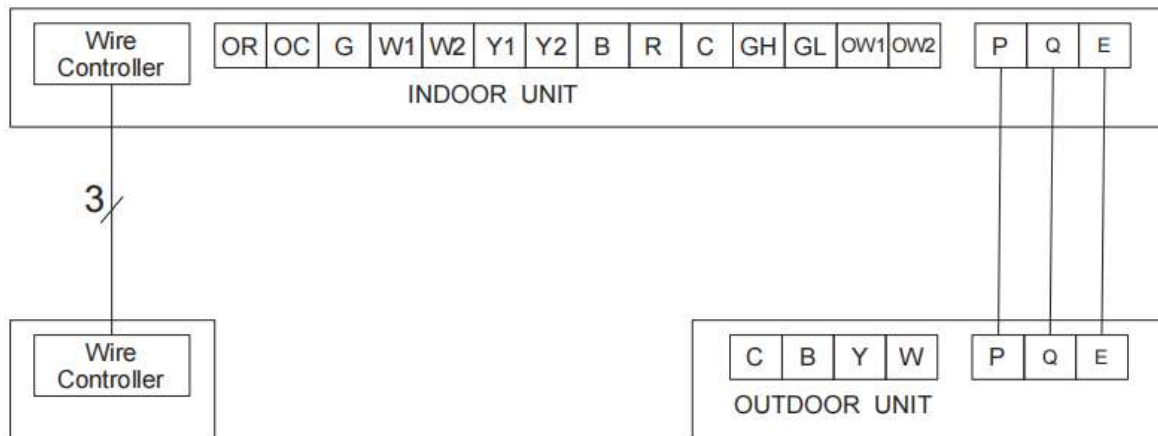


## Wiring for 2H and 2C thermostat

Note1: Y1 and Y2 here represents 2 stages of fan cooling only, the compressor modulates separately from the fan.



The following wiring diagram are suitable for the Indoor Unit and Outdoor Unit with RS485 communication.



**Control Logic:**

Connector	Usage
<b>R</b>	Provides 24VAC power from the furnace to the board.
<b>C</b>	The 24VAC common wire between the furnace and the board.
<b>OW1</b>	First stage of furnace command line from the board to the furnace (OW1-W1). If the furnace that only have a W and do not have a W2, connect OW1 to the W of the furnace and make no connection with the OW2 signal wire (OW1-W).
<b>OW2</b>	Second stage of furnace command line from the board to the furnace (OW2-W2). OW2 cannot be ON unless OW1 is already ON.
<b>GL</b>	Connect the GL signal to G of the furnace (GL-G). If the furnace that do not have a G, connect GL to the Y or Y1 of the furnace (GL-Y or GL-Y1).
<b>GH</b>	For 2-speed configuration, connect the GH signal to Y2 of the furnace (GH-Y2). In this configuration, the GL signal turns on as follows: - In Cool mode or Heat mode with HP when high speed fan is requested. - In Auto Fan and Cool mode, the signal goes to high speed when the difference between room temperature and set point temperature is more than or equal to 1.5°C. The signal goes back to low speed when the temperature difference is less than 1°C. - In Auto Fan and Heat mode with the HP, the signal goes to high speed when the difference between room temperature and set point temperature is less than or equal to -1.5°C. The signal goes back to low speed when the temperature difference is more than 0°C.

**Note:**

- 1) DH wiring is optional and requires a thermostat with a humidistat. DH functions as Passive Dehumidification and will downstage the indoor fan to first stage. System will operate according to normal sequence of operations if DH wiring is absent.
- 2) Dashed lines in the above thermostat wiring diagrams refer to optional wiring (wiring for Passive Dehumidification Function and/OR Electric Heat). For thermostat wiring please refer to the Owner's Manual of the thermostat.
- 3) B wire must be used with heat pump system only, the reversing valve energizes in heating.

## 4 Electrical parameters

Capacity(Btu/h)		18K	24K	30K	36K	48K	60K
Power	Phase	1	1	1	1	1	1
(Indoor)	Frequency and Volt	208/230,60Hz					
Power	Phase	1	1	1	1	1	1
(Outdoor)	Frequency and Volt	208/230,60Hz					
Max.Fuse	Indoor unit(A)	0.3	0.3	0.3	0.3	0.3	0.3
	Outdoor unit(A)	15	20	25	30	40	50
Indoor unit	Line quantity	3	3	3	3	3	3
Powerline	Line diameter(AWG)	20/0.5mm <sup>2</sup>	20/0.5mm <sup>2</sup>	20/0.5mm <sup>2</sup>	20/0.5mm <sup>2</sup>	20/0.5mm <sup>2</sup>	20/0.5mm <sup>2</sup>
Outdoor unit	Line quantity	3	3	3	3	3	3
Powerline	Line diameter(AWG)						
Outdoor unit	Line quantity	3	3	3	3	3	3
Signal line	Line diameter(AWG)	20/0.5mm <sup>2</sup>	20/0.5mm <sup>2</sup>	20/0.5mm <sup>2</sup>	20/0.5mm <sup>2</sup>	20/0.5mm <sup>2</sup>	20/0.5mm <sup>2</sup>
Thermostat	Line quantity	/	/	/	/	/	/
Signal line	Line diameter(AWG)	18/0.8mm <sup>2</sup>	18/0.8mm <sup>2</sup>	18/0.8mm <sup>2</sup>	18/0.8mm <sup>2</sup>	18/0.8mm <sup>2</sup>	18/0.8mm <sup>2</sup>

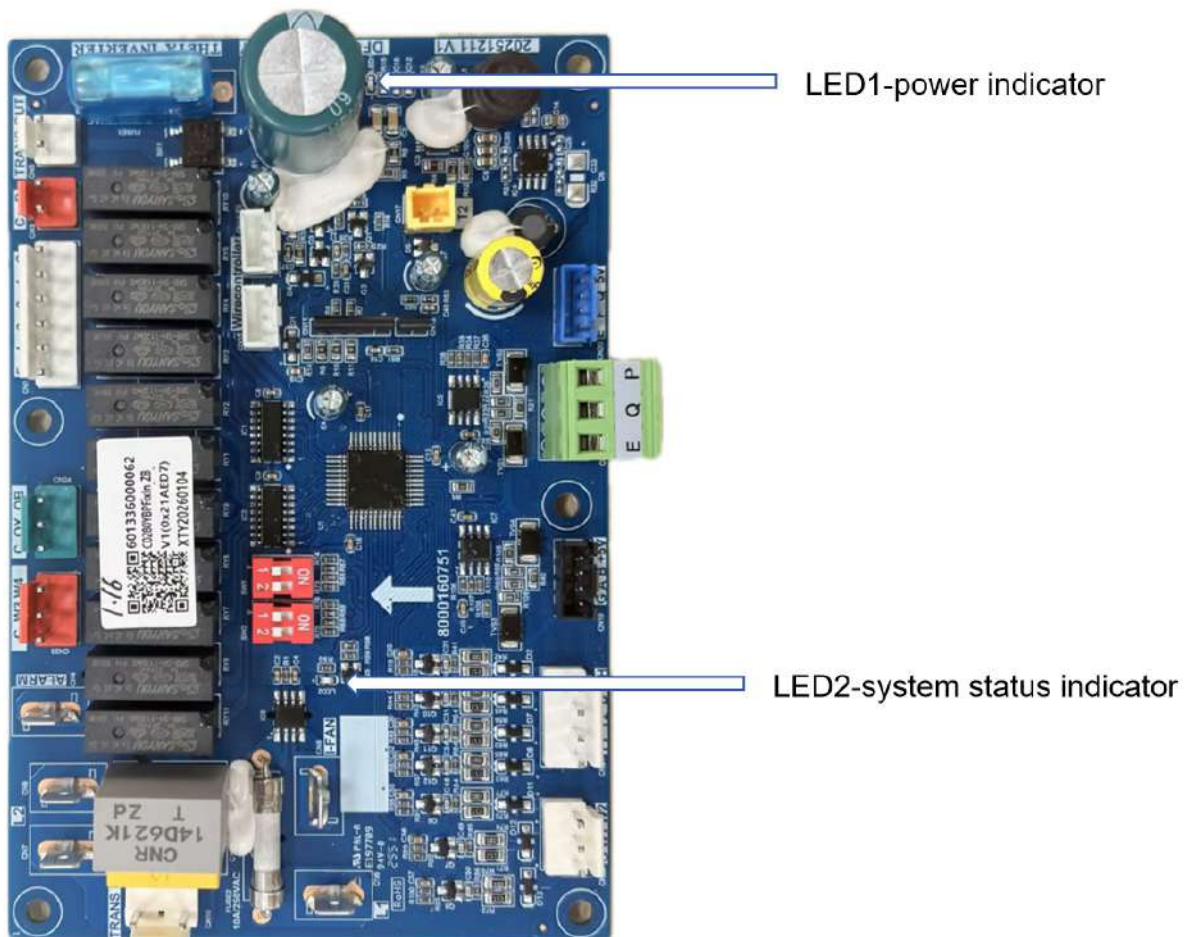
## Part 3

# Diagnosis and Troubleshooting

1 Error code table .....	16
2 Troubleshooting .....	17
2.1 Safety Precautions .....	17
2.2 T2 temperature sensor fault troubleshooting .....	20
2.3 Refrigerant concentration sensor fault troubleshooting .....	21
2.4 Refrigerant leakage protection troubleshooting .....	22
2.5 Anti-freeze protection troubleshooting .....	23
2.6 Wired controller communication error troubleshooting .....	24
3. Temperature Sensor Resistance Characteristics .....	25

## 1 Error code table

Error code	Error definition
Flash for 3 times every 8 seconds	T2 temperature sensor fault
Flash for 4 times every 8 seconds	R32 refrigerant concentration sensor fault
Flash for 5 times every 8 seconds	R32 refrigerant leakage protection
Flash for 6 times every 8 seconds	Anti-freeze protection
Flash for 10 times every 8 seconds	Wired controller communication error



**Note:** In normal operation, LED1 and LED2 are steady on; when the system is standby, LED1 will be steady on, LED2 will flash slowly.

## 2 Troubleshooting

### 2.1 Safety Precautions

The following precautions here are quite important, so be sure to follow them carefully. Read these instructions carefully before installation. Keep this manual in a handy for future preference.

Failure to adhere to all precautionary measures listed in this section may result in personal injury, damage to the unit or to property, or in extreme cases, death.



#### WARNING

- Indicates a potentially hazardous situation which if not avoided, could result in death or serious injury.



#### CAUTION

- Indicates a potentially hazardous situation which if not avoided, may result in minor or moderate injury.
- It is also used to alert against unsafe practices.

#### 2.1.1 In case of Accidents or Emergency



#### WARNING

- If a gas leak is suspected, immediately turn off the gas and ventilate the area if a gas leak is suspected before turning the unit on.
- If strange sounds or smoke is detected from the unit, turn the breaker off and disconnect the power supply cable.
- If the unit comes into contact with liquid, contact an authorized service center.
- If liquid from the batteries makes contact with skin or clothing, immediately rinse or wash the area well with clean water.
- Do not insert hands or other objects into the air inlet or outlet while the unit is plugged in.
- Do not operate the unit with wet hands.



#### CAUTION

- Clean and ventilate the unit at regular intervals when operating it near a stove or near similar devices.
- Do not use the unit during severe weather conditions. If possible, remove the product from the window before such occurrences.

---

### 2.1.2 Information servicing(For flammable materials)



#### WARNING

---

- Use this unit only on a dedicated circuit.
- Damage to the installation area could cause the unit
- to fall, potentially resulting in personal injury, property damage, or product failure.
- Only qualified personnel should disassemble, install, remove, or repair the unit.
- Only a qualified electrician should perform electrical work. For more information, contact your dealer, seller, or an authorized service center.



#### CAUTION

---

- While unpacking be careful of sharp edges around the unit as well as the edges of the fins on the condenser and evaporator.

### 2.1.3 Operation and Maintenance



#### WARNING

---

- Do not use defective or under-rated circuit breakers.
- Ensure the unit is properly grounded and that a dedicated circuit and breaker are installed.
- Do not modify or extend the power cable. Ensure the power cable is secure and not damaged during operation.
- Do not unplug the power supply plug during operation.
- Do not store or use flammable materials near the unit.
- Do not open the inlet grill of the unit during operation.
- Do not touch the electrostatic filter if the unit is equipped with one.
- Do not block the inlet or outlet of air flow to the unit.
- Do not use harsh detergents, solvents, or similar items to clean the unit. Use a soft cloth for cleaning.
- Do not touch the metal parts of the unit when removing the air filter as they are very sharp.
- Do not step on or place anything on the unit or outdoor units.
- Do not drink water drained from the unit.

- Avoid direct skin contact with water drained from the unit.
- Use a firm stool or step ladder according to manufacturer procedures when cleaning or maintaining the unit.



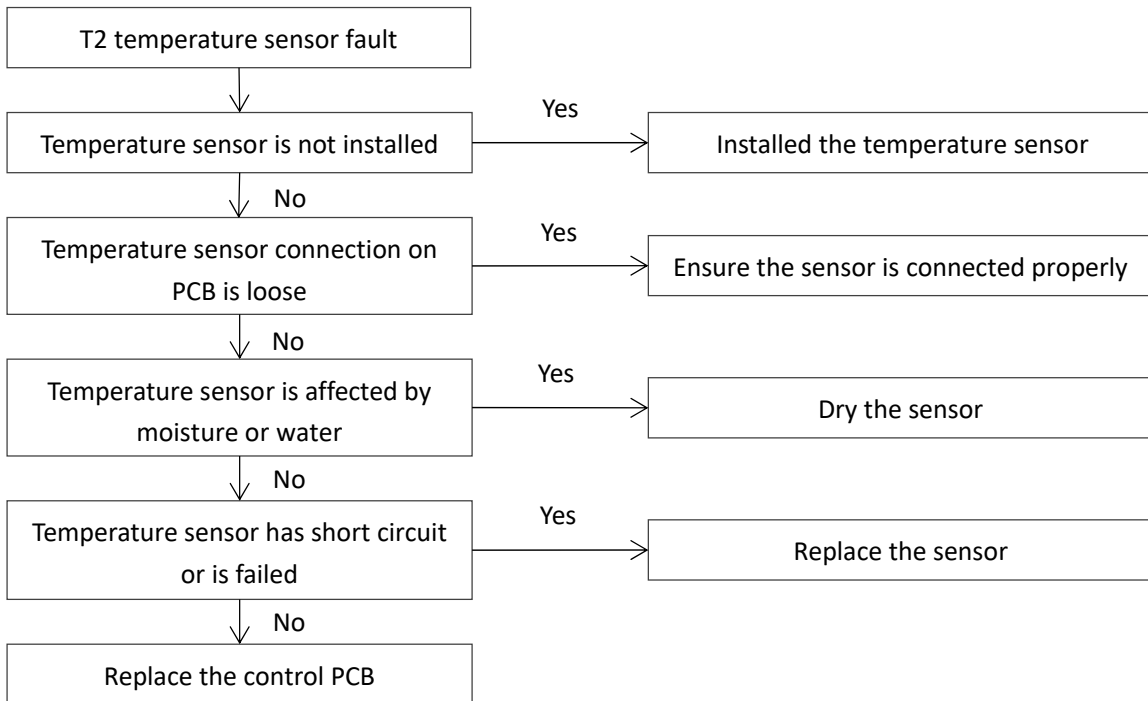
**CAUTION**

---

- Do not install or operate the unit for an extended period of time in areas of high humidity or in an environment directly exposing it to sea wind or salt spray.
- Do not install the unit on a defective or damaged installation stand, or in an unsecured location.
- Ensure the unit is installed at a level position
- Do not install the unit where noise or air discharge
- Created by the outdoor unit will negatively impact the environment or nearby residences.
- Do not expose skin directly to the air discharged by the unit for prolonged periods of time.
- Ensure the unit operates in areas waterOr other liquids.
- Ensure the drain hose is installed correctly to ensure proper water drainage.
- When lifting or transporting the unit, it is recommended that two or more people are used for this task.
- When the unit is not to be used for an extended time, disconnect the power supply or turn off the breaker.

## 2.2 T2 temperature sensor fault troubleshooting

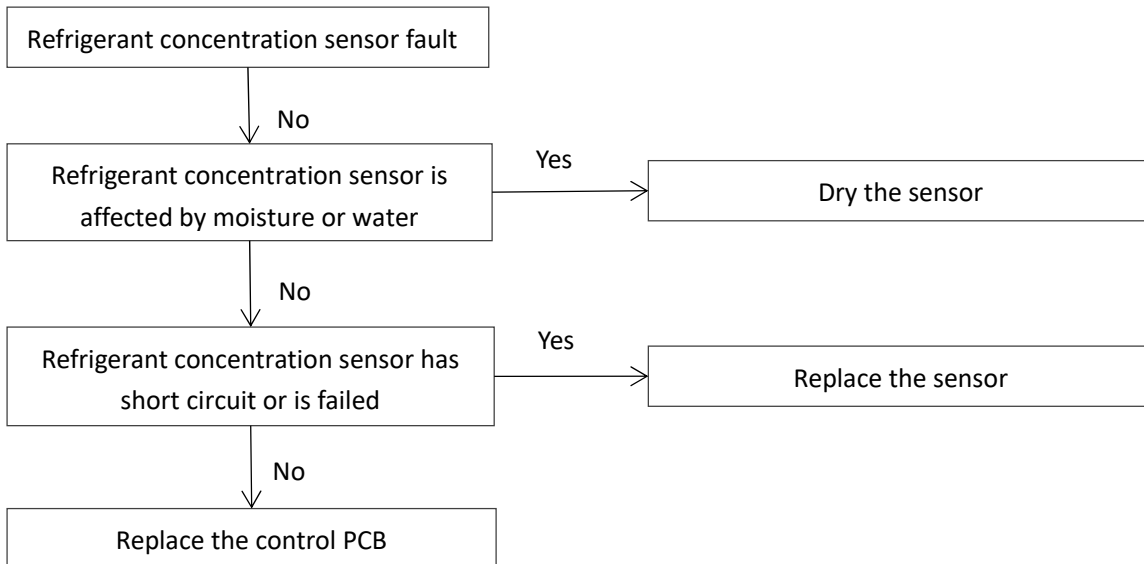
- LED2 flashes for 3 times every 8 seconds indicates indoor unit T2 temperature sensor fault
- The unit stops running and LED2 flashes 2 or 3 times in each round.



Note: Measure sensor resistance. If the resistance is too low, the sensor has short-circuited. If the resistance is not consistent with the sensor's resistance characteristics table, the sensor has failed.

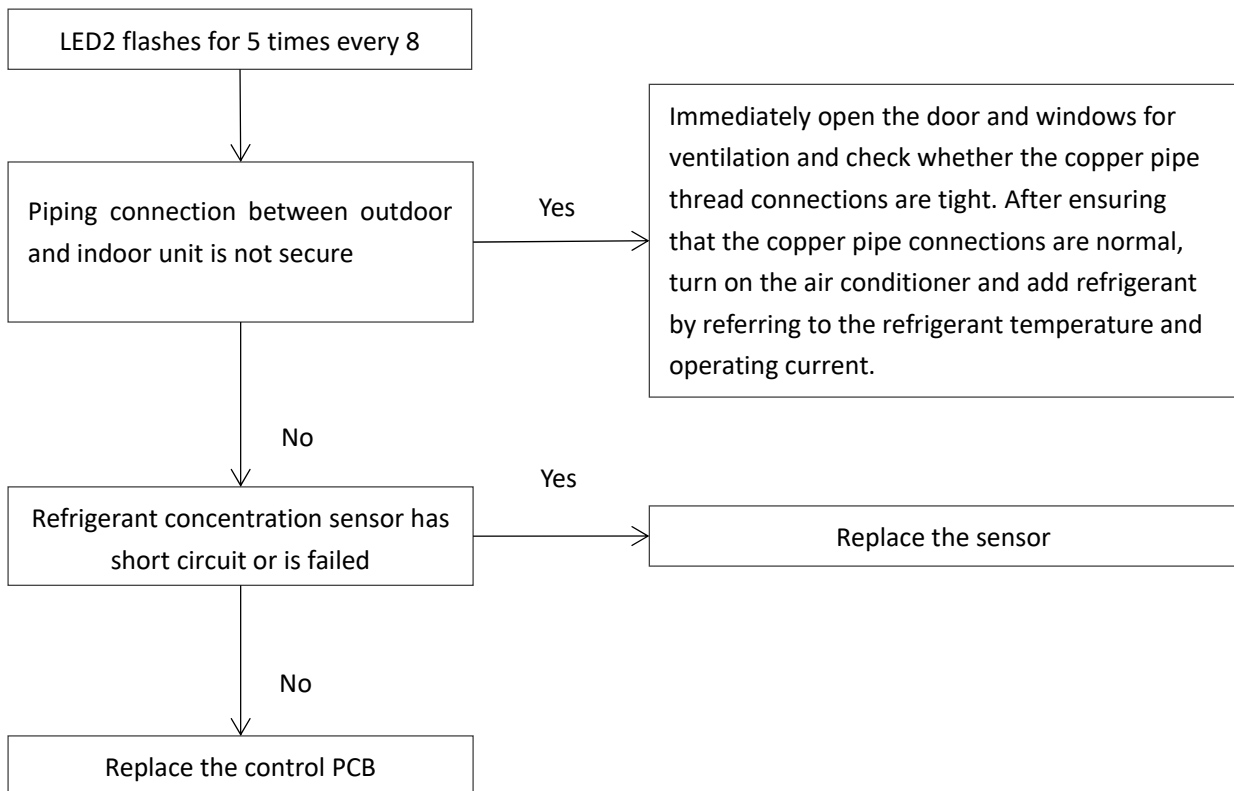
### 2.3 Refrigerant concentration sensor fault troubleshooting

- LED2 flash for 4 times every 8 seconds indicates refrigerant concentration sensor fault (Only valid when connected to a refrigerant concentration sensor.)
- The unit stops running and LED2 flashes 4 times in each round.



## 2.4 Refrigerant leakage protection troubleshooting

- LED2 flashes for 5 times every 8 seconds indicates refrigerant leakage protection (Only valid when connected to a refrigerant concentration sensor.)
- The unit stops running and error code is displayed on LED2 flashes 5 times in each round.

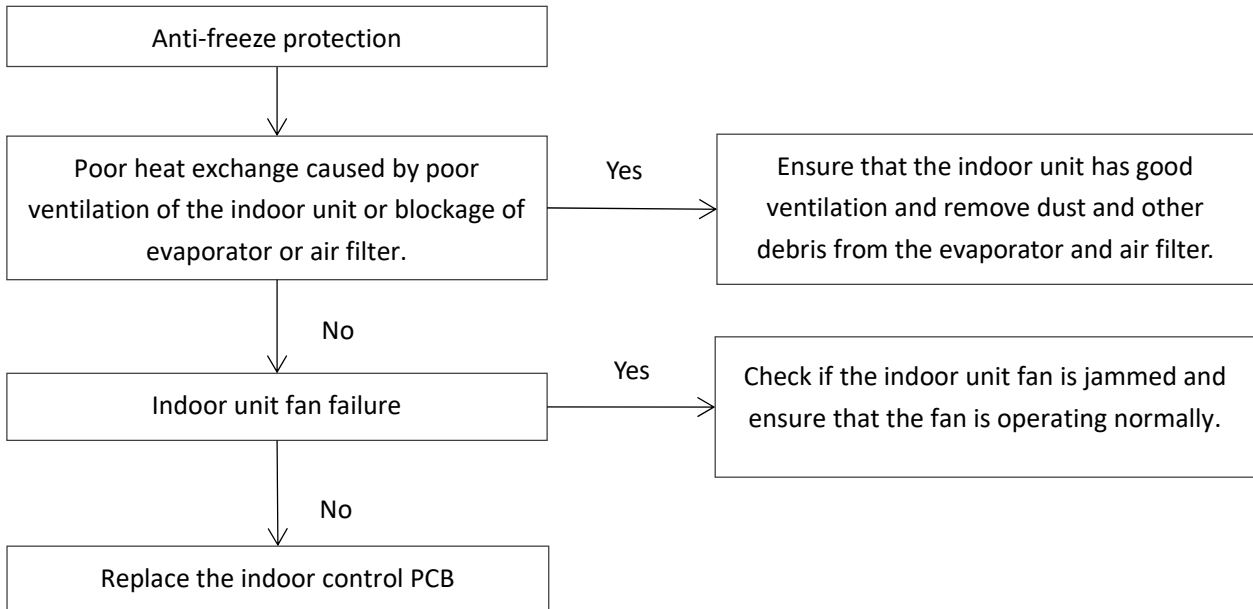


### Note:

- 1) Measure sensor resistance. If the resistance is too low, the sensor has short-circuited. If the resistance is not consistent with the sensor's resistance characteristics table, the sensor has failed.

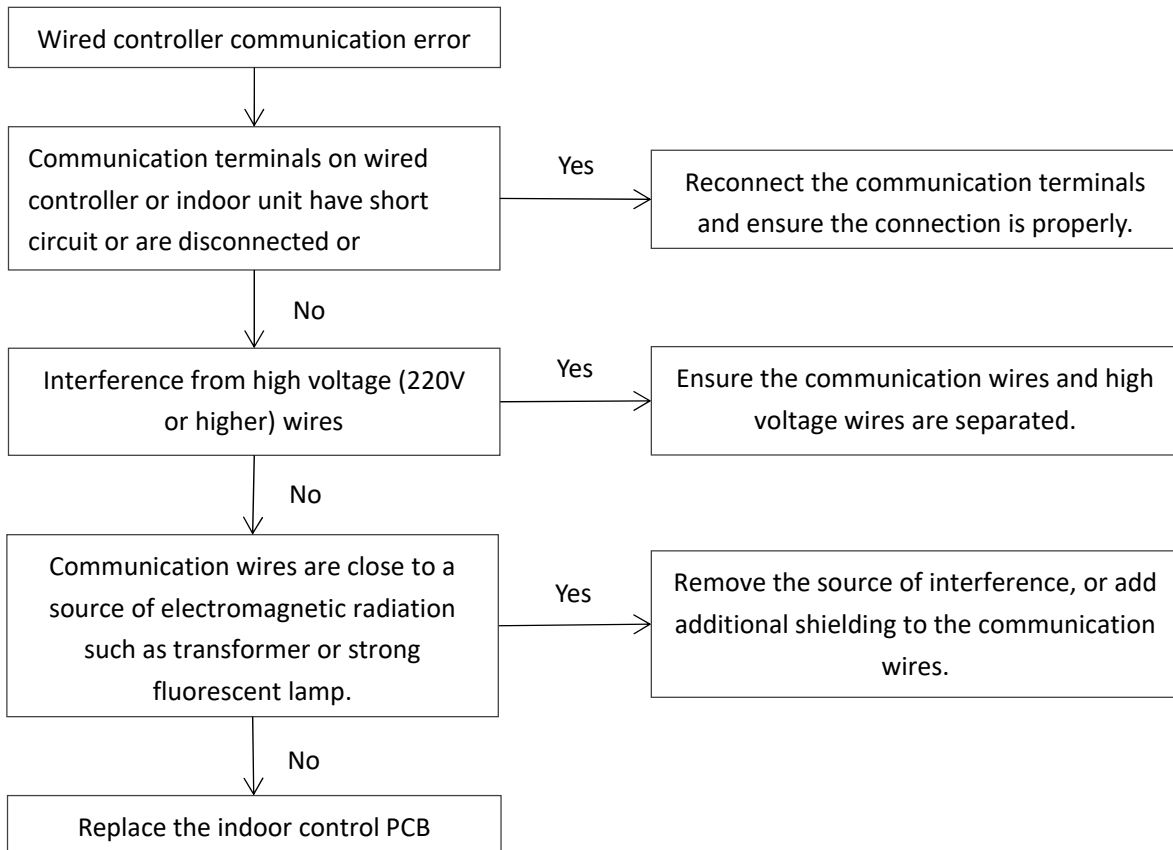
## 2.5 Anti-freeze protection troubleshooting

- LED2 flashes 6 times every 8 seconds indicates anti-freeze protection.
- The unit stops running and LED2 flashes 6 times in each round.



## 2.6 Wired controller communication error troubleshooting

- LED2 flashes 10 times every 8 seconds indicates wired controller communication error.
- The unit stops running and LED2 flashes 10 times in each round.



### 3. Temperature Sensor Resistance Characteristics

Condenser coil temperature sensor(T2) resistance characteristics.

Temperature (°C)	Resistance (kΩ)	Temperature (°C)	Resistance (kΩ)	Temperature (°C)	Resistance (kΩ)	Temperature (°C)	Resistance (kΩ)
-25	144.266	15	16.079	55	2.841	95	0.708
-24	135.601	16	15.313	56	2.734	96	0.686
-23	127.507	17	14.588	57	2.632	97	0.666
-22	119.941	18	13.902	58	2.534	98	0.646
-21	112.867	19	13.251	59	2.44	99	0.627
-20	106.732	20	12.635	60	2.35	100	0.609
-19	100.552	21	12.05	61	2.264	101	0.591
-18	94.769	22	11.496	62	2.181	102	0.574
-17	89.353	23	10.971	63	2.102	103	0.558
-16	84.278	24	10.473	64	2.026	104	0.542
-15	79.521	25	10	65	1.953	105	0.527
-14	75.059	26	9.551	66	1.883		
-13	70.873	27	9.125	67	1.816		
-12	66.943	28	8.721	68	1.752		
-11	63.252	29	8.337	69	1.69		
-10	59.784	30	7.972	70	1.631		
-9	56.524	31	7.625	71	1.574		
-8	53.458	32	7.296	72	1.519		
-7	50.575	33	6.982	73	1.466		
-6	47.862	34	6.684	74	1.416		
-5	45.308	35	6.401	75	1.367		
-4	42.903	36	6.131	76	1.321		
-3	40.638	37	5.874	77	1.276		
-2	38.504	38	5.63	78	1.233		
-1	36.492	39	5.397	79	1.191		
0	34.596	40	5.175	80	1.151		
1	32.807	41	4.964	81	1.113		
2	31.12	42	4.763	82	1.076		
3	29.528	43	4.571	83	1.041		
4	28.026	44	4.387	84	1.007		
5	26.608	45	4.213	85	0.974		
6	25.268	46	4.046	86	0.942		
7	24.003	47	3.887	87	0.912		
8	22.808	48	3.735	88	0.883		
9	21.678	49	3.59	89	0.855		
10	20.61	50	3.451	90	0.828		
11	19.601	51	3.318	91	0.802		
12	18.646	52	3.191	92	0.777		
13	17.743	53	3.069	93	0.753		
14	16.888	54	2.952	94	0.73		



# ACCIO

**The design and specifications are subject to change without prior notice for product improvement. Consult with the sales agency or manufacturer for details. Any updates to the manual will be uploaded to the service website, please check for the latest version.**