

Inverter Air Conditioner Indoor/Outdoor Units Disassembly Manual

Models:

CYT009GLSI24RL

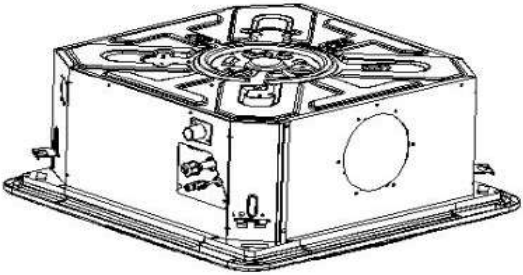
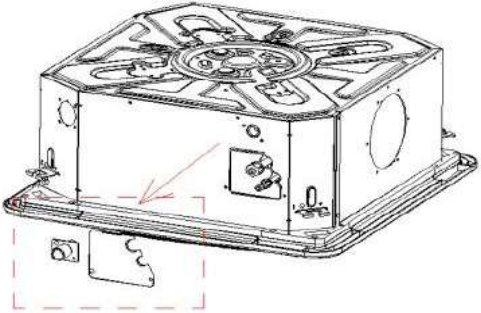
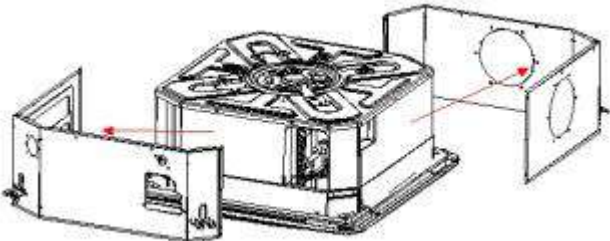
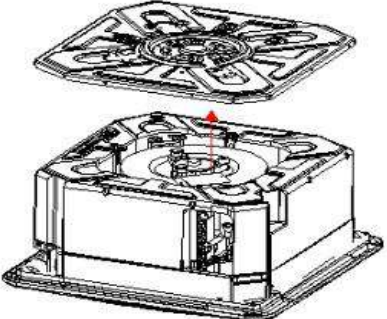
CYT012GLSI24RL

CYT018GLSI24RL

CYT024GLSI24RL

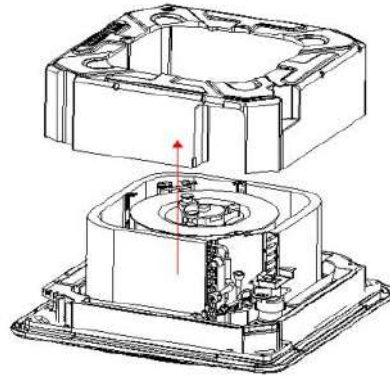
IDU Disassembly

Indoor Unit Model Numbers: CT009GLSILCFHG | CT012GLSILCFHG | CT018GLSILCFHG | CT024GLSILSFHG

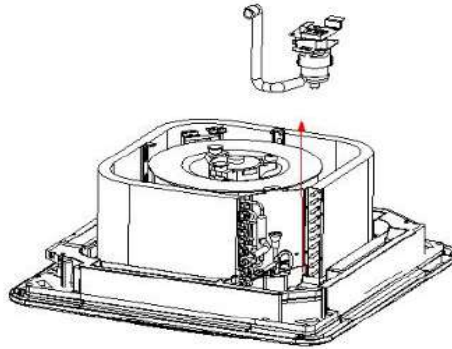
Steps	Reference Photo
<p>Before disassembly</p>	
<p>1. Remove the seal plate and drain spout</p>	
<p>A. Disassemble the seal plate. B. Remove the drain spout.</p>	
<p>2. Remove the front and rear fascia assembly</p>	
<p>Unfix the screws and hooks on the base plate, as well as the front and rear panel assembly. Remove the front and rear fascia assembly from unit.</p>	
<p>3. Dismantle the base assembly</p>	
<p>Remove the chassis components by unfixing the screws between the base foam part, evaporator fix plate, and base assembly.</p>	

4. Remove the base foam assembly

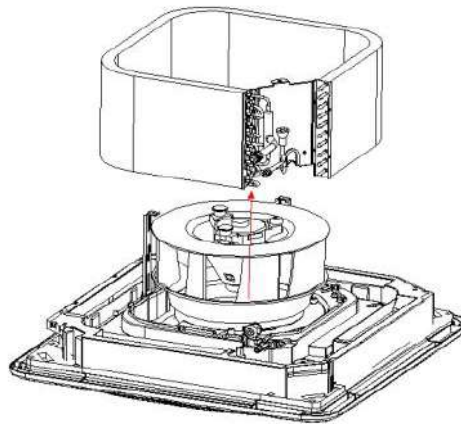
Remove the base foam assembly as shown in the photo.

**5. Dismantle the water pump assembly**

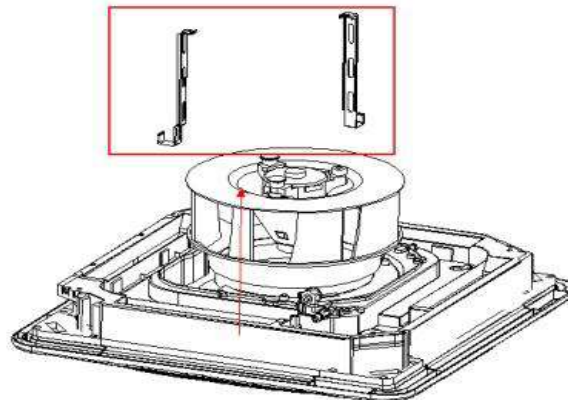
Dismantle the water pump assembly as shown in the photo. Take the water pump out in the same direction shown in the photo.

**6. Dismantle the evaporator assembly**

Dismantle the evaporator assembly as in the photo. Take the evaporator out in the same direction shown in the photo.

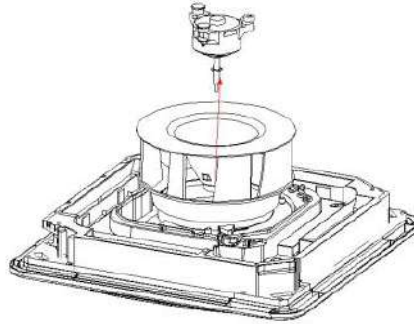
**7. Remove the evaporator fixing plates**

Remove the evaporator fixing plates in the same direction as shown in the photo.

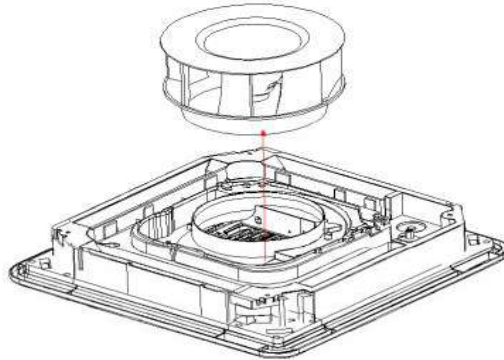


8. Disassemble the DC motor

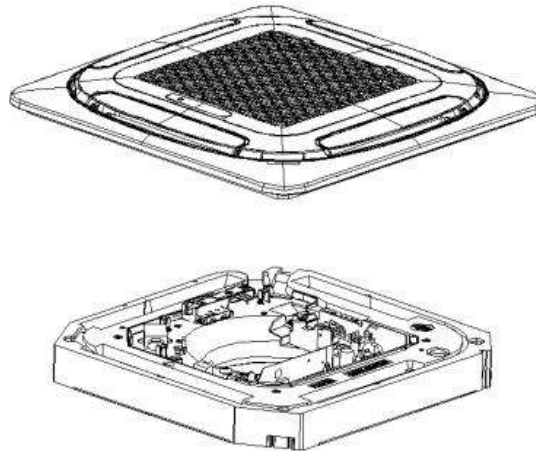
Disassemble the DC motor as shown in the photo.

**9. Remove the centrifugal fan**

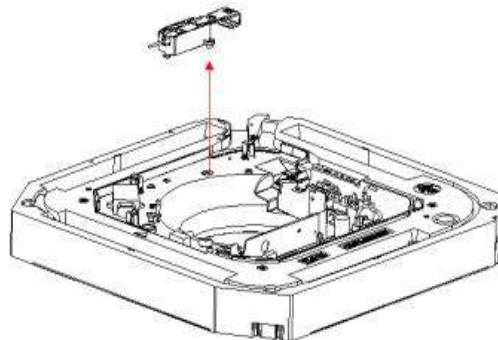
Remove the centrifugal fan as shown in the photo.

**10. Remove the panel assembly**

Unfix the screws on the panel and drainage assembly. Remove the panel assembly

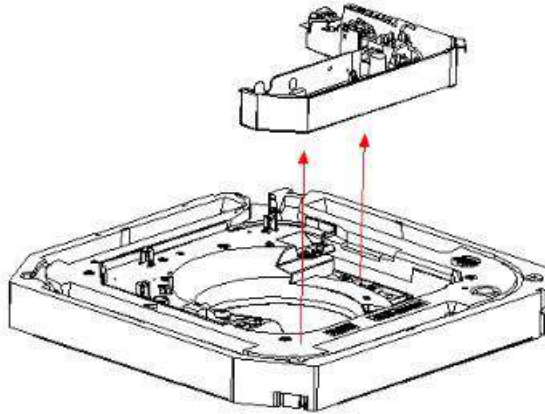
**11. Remove the USB/Wi-Fi module**

Unfix the screws on the USB/Wi-Fi module and air guide part. Remove the module.

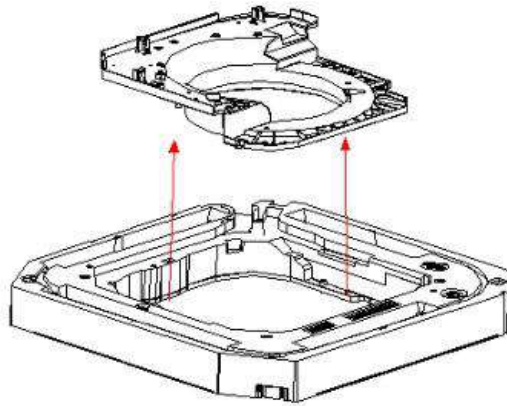


12. Remove the electric box assembly

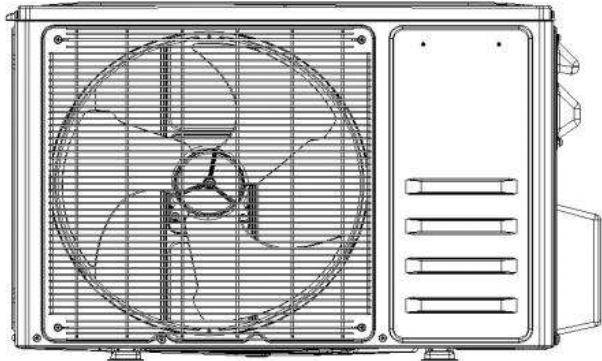
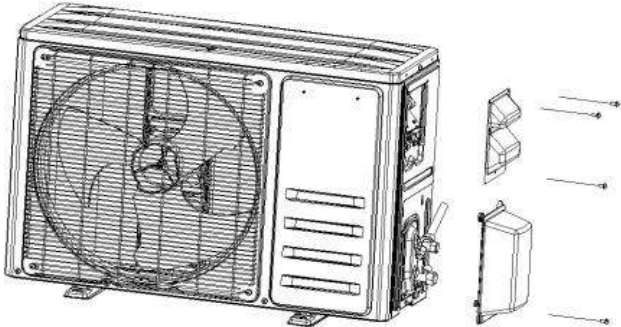
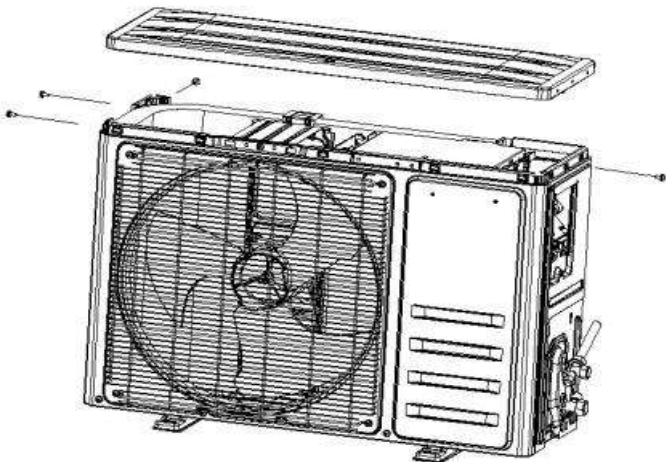
Unfix the screws on the electric control box, water tray assembly, and air guide in the direction shown in the photo. Remove the electric control box assembly.

**13. Disassemble the air guide parts**

Unfix the screws on the guide parts and water tray. Remove the air guide parts.

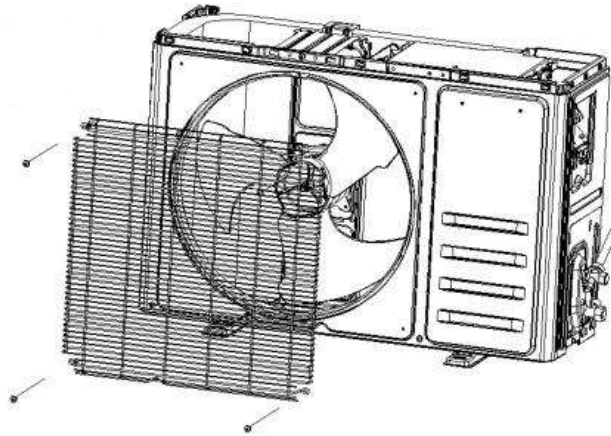
**ODU Disassembly**

Outdoor Unit Model Numbers: YN009GLSI24RPG | YN012GLSI24RPG | YN018GLSI24RPG | YN024GLSI24RPG

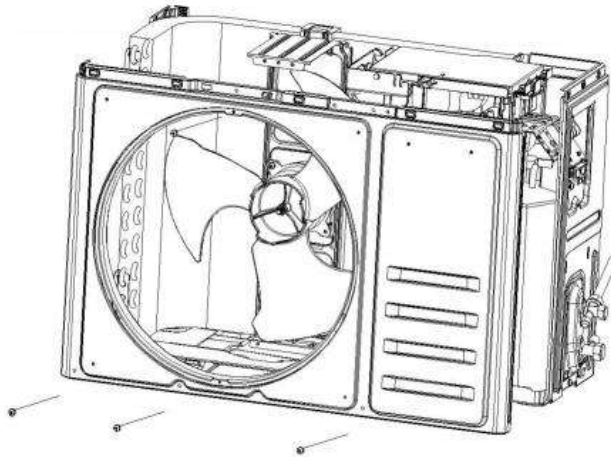
Steps	Reference Photo
<p>Before disassembly</p>	
<p>1: Remove the PCB cover, valve cover, and top cover</p>	
<p>A</p> <p>1). Unfix 1 screw on the PCB cover, then you can remove the cover from the unit.</p> <p>2). Unfix 1 screw on the valve cover, and then you can take it out.</p>	
<p>B</p> <p>Unfix the screws on the top/left/right plates, and then you can take the top cover off.</p>	

2. Disassemble the fan guard and front panel

A Remove the grille screws from the front panel, then take out the grille.

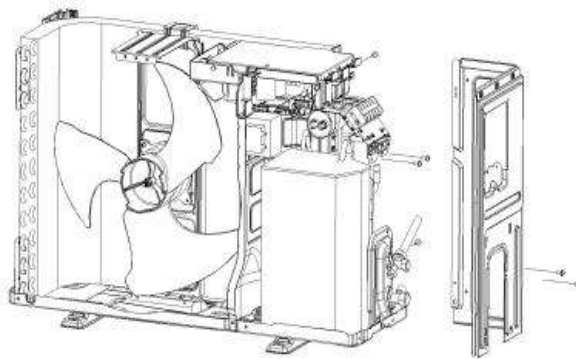


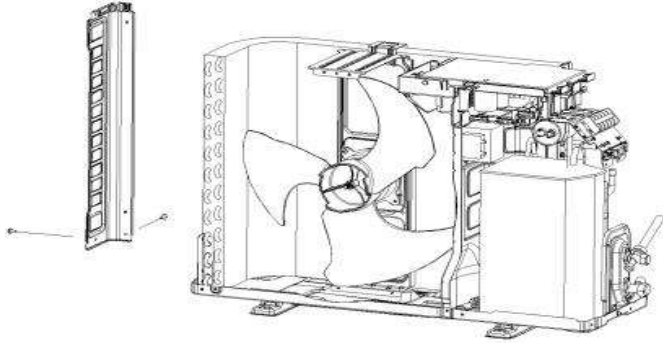
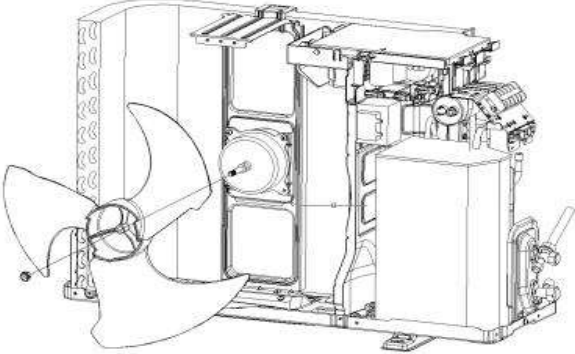
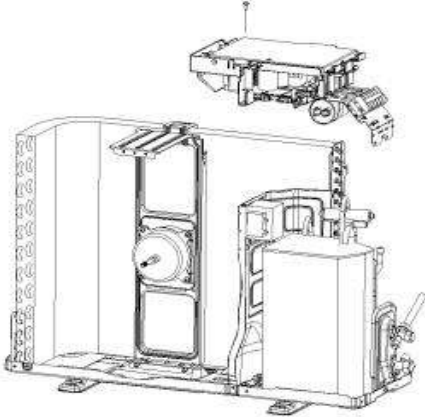
B 1). Unfix the screws on the front panel of the fan guard.
2). Separate the ODU middle plate and base plate. Lift the front panel so you can take it out from the unit.



3. Disassemble the left and right plate

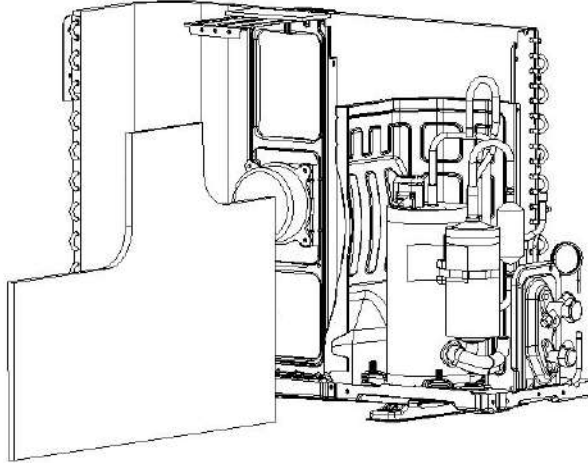
A Unfix the screws on the right plate, electric box assembly, valve plate, and base plate. You can then remove the right plate.



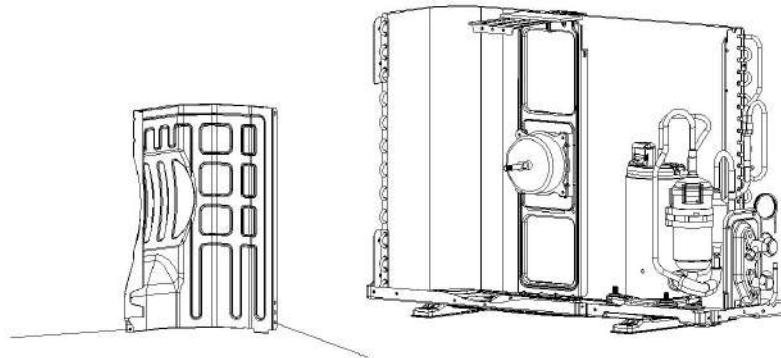
<p>B</p>	<p>Unfix the screws on the left plate, base plate, and condenser plate. You can then take the left plate out.</p>	
<p>4. Disassemble the axis fan blade</p>		
<p>A</p>	<p>Unscrew the fan blade nut. Remove the blade.</p>	
<p>5. Disassemble the electric box</p>		
<p>A</p>	<p>Unfix the screws on the electric box and motor supporter. Loosen the wiring clamp, then you can take the control box out.</p>	

6. Remove the noise cotton

- A** Take the cotton out, as shown in the picture.

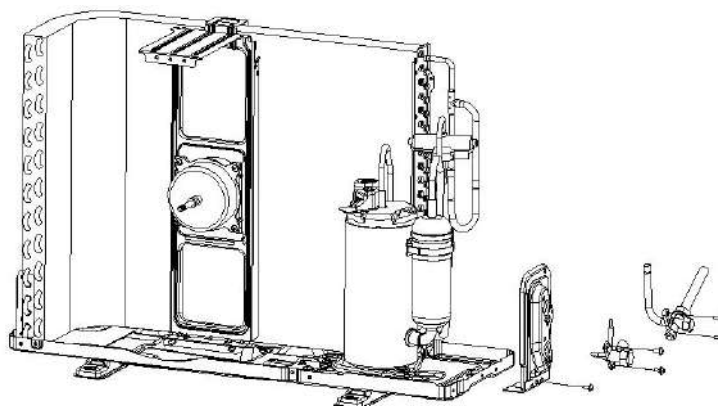
**7. Disassemble the separate plate**

- A** Unfix the screw on the separate plate and unit, then take it out.

**8. Disassemble the 2-way and 3-way valve**

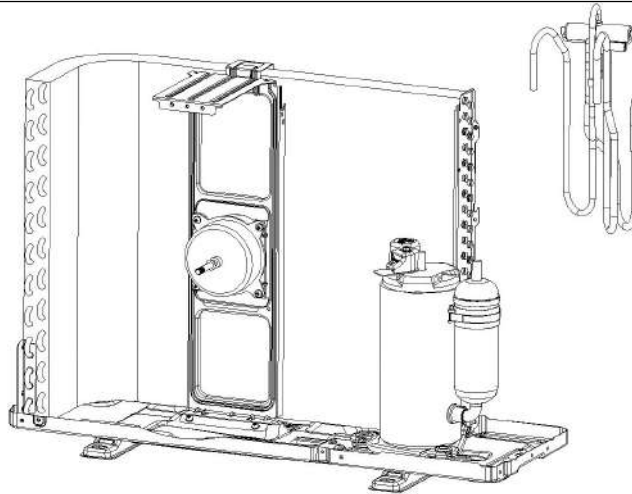
- A** Unfix the screws on the valve plate and base. You can take the 2-way and 3-way valve out by welding.

Note:
1). Welding can only occur while there is no gas in the unit.
2). Pay attention to the fire to prevent any injury.

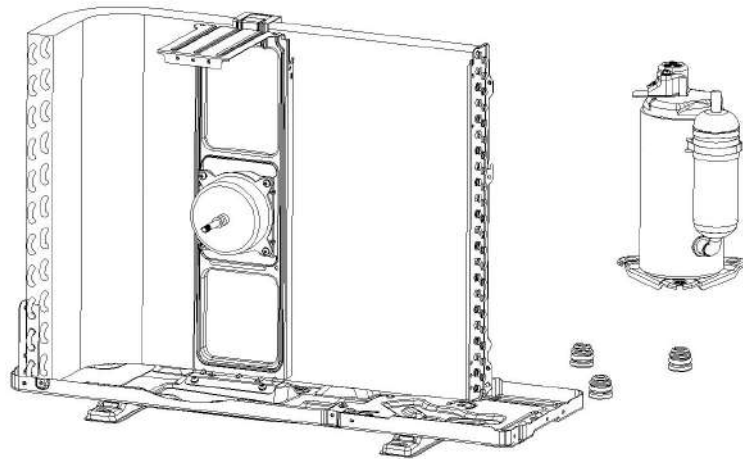


9. Disassemble the 4-way valve assembly**A**

Remove the 4-way valve from the system by welding. Ensure there is no damage to the compressor, nameplate, etc.

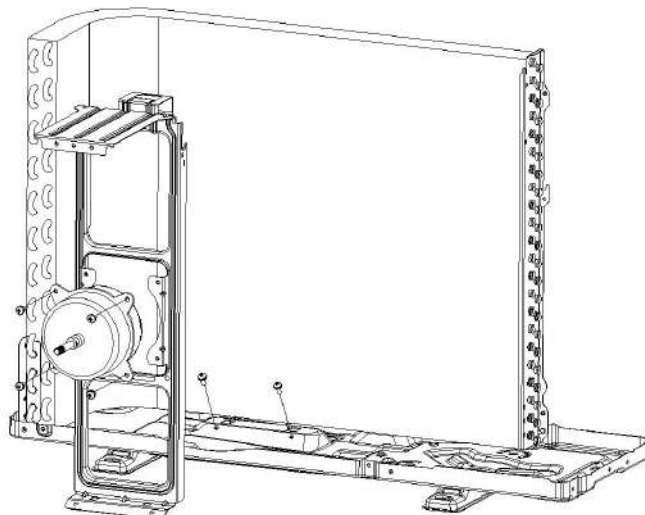
**10. Disassemble the compressor****A**

Unscrew the nuts and remove the compressor.

**11. Remove the fan motor and fan supporter****A**

Unfix the screws on the fan motor and supporter, then remove the supporter of the base plate.

Note:
Pay attention to the motor wiring. It can't be taken out by force.



The design and specifications of this product are subject to change without prior notice as development continues. Consult with the sales agency or manufacturer for details. Refer to the equipment nameplate for all other applicable specifications.

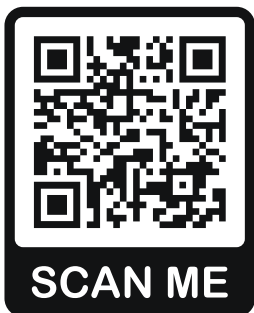


is a registered trademark of Parker Davis HVAC International, LLC.

Parker Davis HVAC International
7290 NW 77 Court, Miami, FL 33166 - USA
Tel : (305) 513-4488
Fax : (305) 513-4499
E-mail : info@pdhvac.com
Website: www.pdhvac.com

Pioneer product line, parts, and supplies are available online for convenient ordering at:
www.highseer.com
www.pioneerminisplit.com

Scan the below code to visit our support page where you can find more installation materials:



Copyright © Parker Davis HVAC International, LLC. All rights reserved.
